

# Mylic™

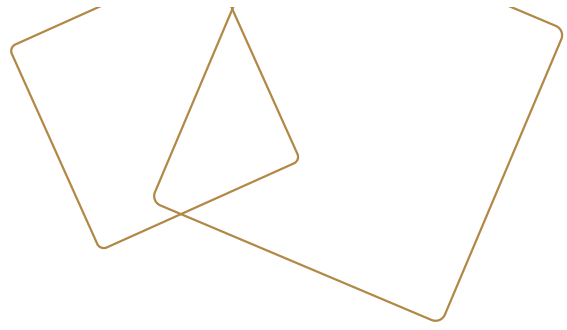
A little touch of genius

## WALLS GET SMARTER AND BEAUTIFUL.



 **legrand**<sup>®</sup>

LIVE THE ADVANTAGE

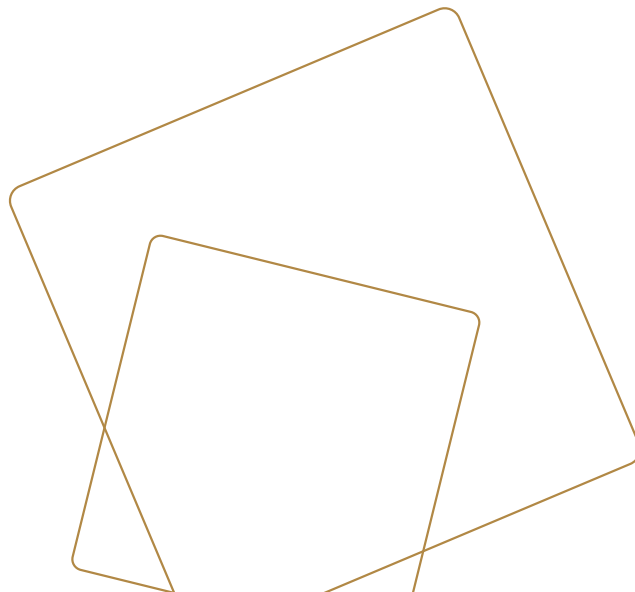


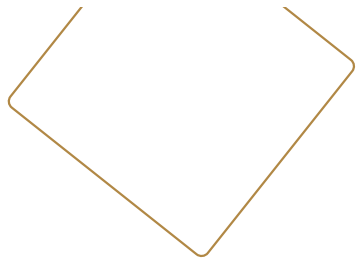
Today's lifestyle is constantly on the move. At Legrand, we meet the needs of this lifestyle with our technologically advanced products by investing 5% on R&D thereby making us the global specialist in electrical and digital building infrastructures.

We make things that are not just essential but even desirable. We pursue exacting engineering and fuel it with design thinking. We call this Designeering. It's not just a deep understanding of our markets, but delivering innovation and technology for uninterrupted living.

Such expertise helps us anticipate and fulfill the needs of our customers, making us the global leaders in wiring devices. Like the chic Mylinc, now made smarter with a host of features that help you live the advantage. Easy to install, convenient and with a range of new colours, Mylinc makes the walls of your home, establishment or office beautiful and smarter. Now, charge, surf, regulate, control and do a lot more with upgraded features.

## **Live the advantage**





Remote Control Unit for Lights and Fan



RJ45 Socket with Shutter



25A Switch



Modular MCB



360° Rotation Fan Regulator



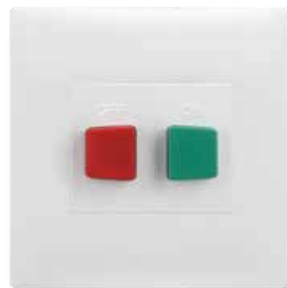
Skirting Light



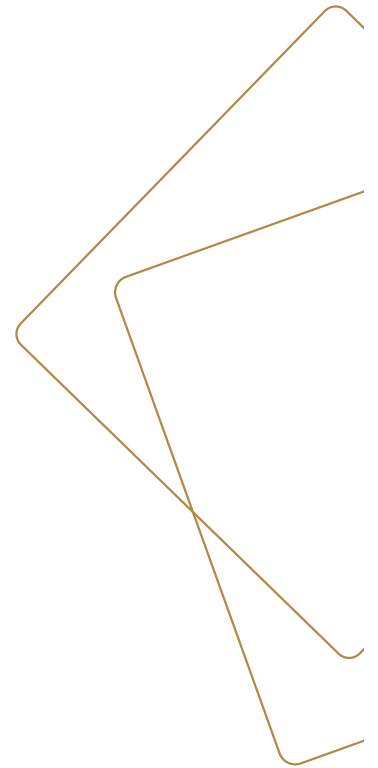
USB Charger

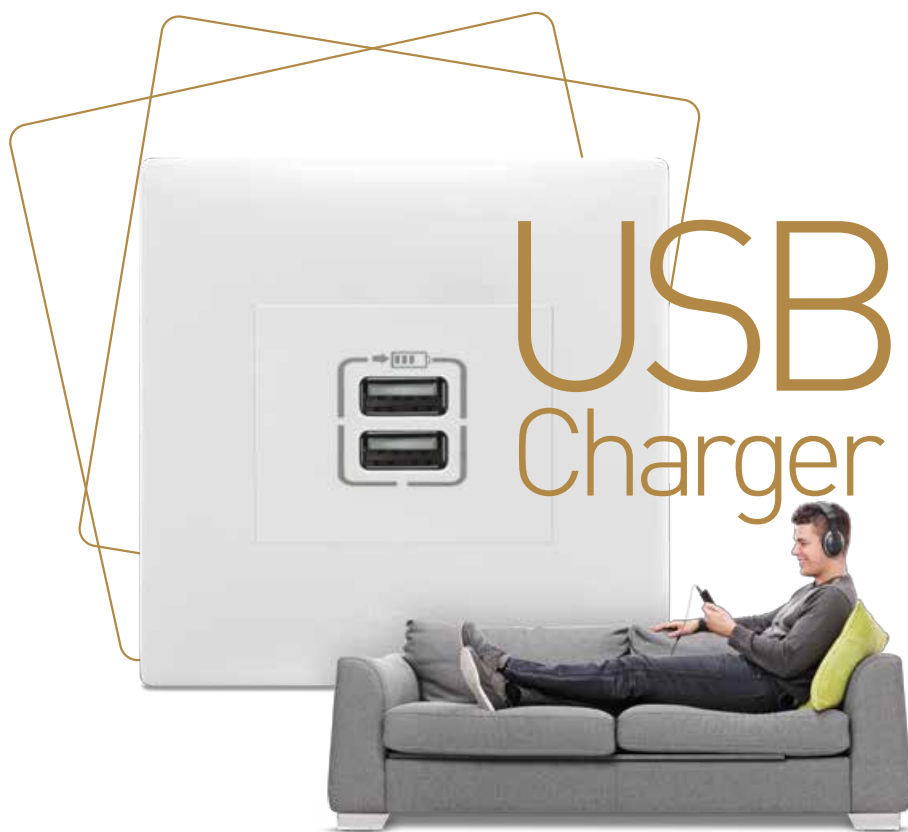


Do Not Disturb & Make My Room Indicators



Motor Starter





USB Charger in 1000 mA and 2000 mA capacities – IS Certified and tested under our stringent quality process, plug your electric and wifi enabled gadgets. Enjoy uninterrupted.



# 360° Rotation Fan Regulator

360° rotation to enable operation of the knob from any angle. Free movement for maximum comfort and convenience.

# Skirting Light in 2M



Highlight the special features in your home,  
office, establishment with stylish skirting lights.

# RJ 45 Socket with Shutter



Ambient dust lodges itself inside sockets, affecting performance. Keep out what is not needed.

# Remote Control Unit



Operate four lights and regulate one fan on infrared technology. Sometimes you just don't want to be interrupted from something important.





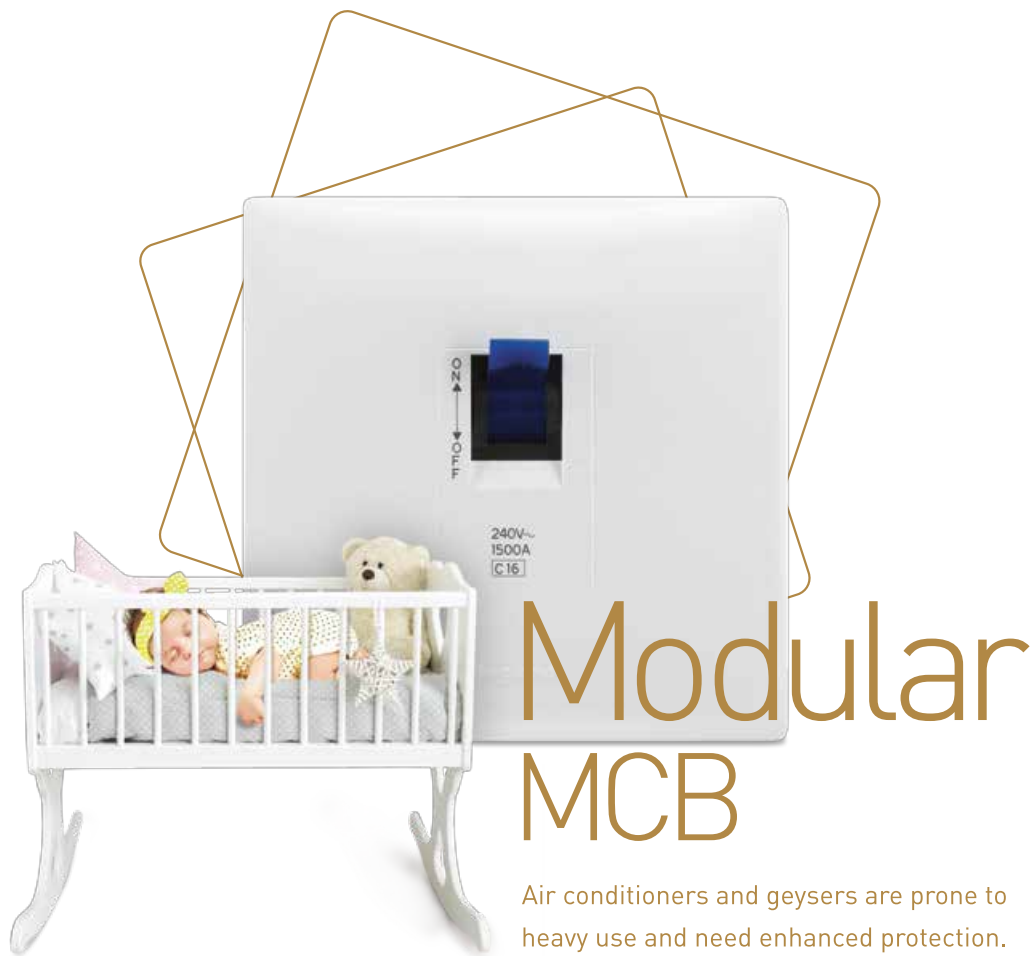
# Do Not Disturb & Make My Room Indicator

Minimalism in design with maximism in functionality is always in demand in hotels. We combine these elegantly in our switches for increased space savings.

# Motor Starter



Overload on heavy-duty appliances like air conditioners and geysers can cause damage. Give them the additional protection to keep them and you safe.



# Modular MCB

Air conditioners and geysers are prone to heavy use and need enhanced protection. Our MCBs are tested under strict quality process to keep you and your assets safe.



# Express with Colours

Choose from a rich, sophisticated colour palette.  
Give the touch of taste and elegance to your smart walls.



# Moulded to Perfection

The white classic design is renowned for safety, reliability, convenience and beauty. The same exacting standards are now also available in moulded matt grey.



Screwless finish and rounded corners that add beauty to any home



Laser marking safeguards against fakes



Linc-Loc™ intelligent design prevents wrong fitting, misaligned switches and sockets



Indicators for correct orientation



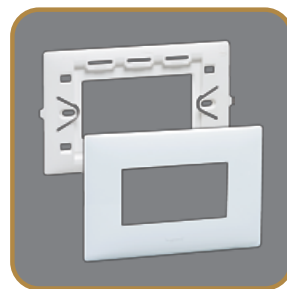
Safety features for mishap-proof use



Front removal



Stripping Template



Modular Plates

Assuming a switch is operated 10 times a day on average, these switches come with a guarantee of one lakh operations

Dependable for One Lakh Operations



ISI Marking

# Myinc™

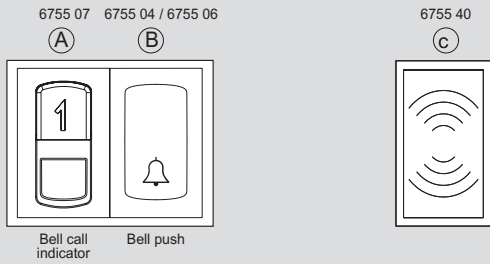
switches and accessories

## Technical data

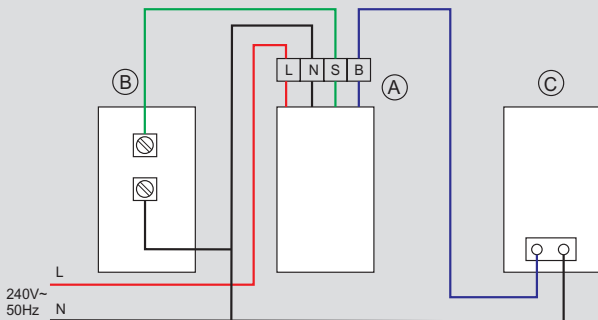
### Bell call indicator

Cat.Nos 6755 07 / 6763 07

### Description



### Wiring

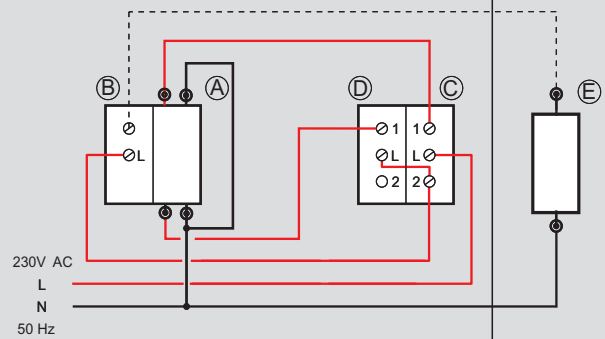
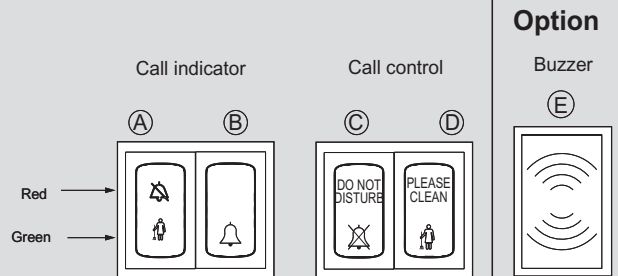


## Technical data

### DND external unit

Cat.Nos 6755 56 / 6763 42 / 6763 42 / 6763 23

### Description



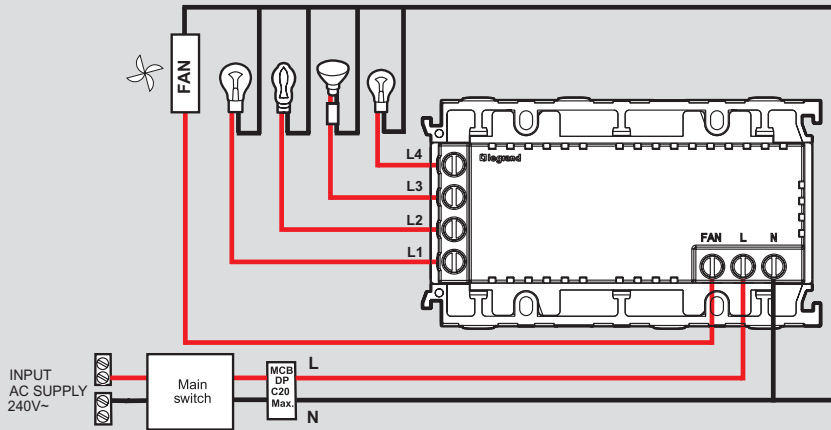


■ **Technical data**

**Remote control unit 4 M**

Cat.Nos 6759 75 / 6763 47

**Wiring diagram**

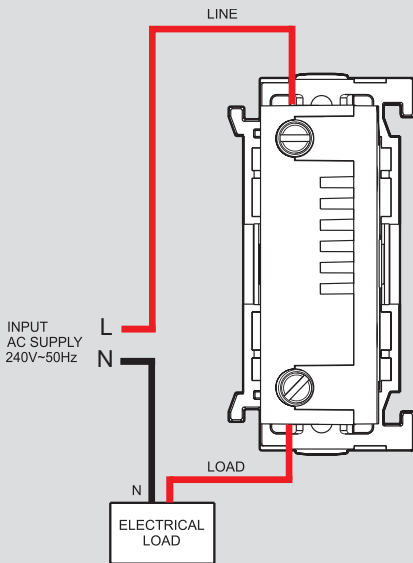


**Mylinec™**  
power unit

**Technical data**

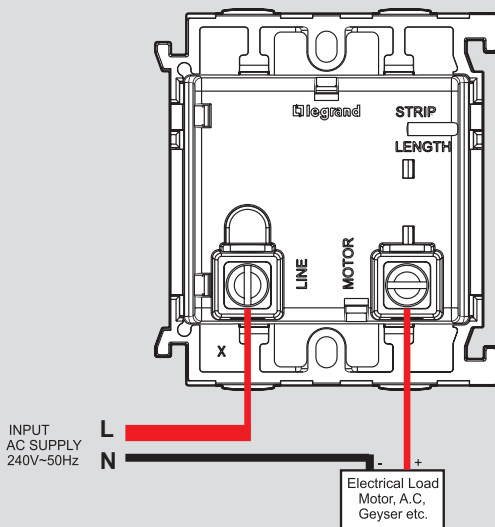
**Modular MCB 1 M**  
Cat.Nos 6759 74 / 6763 46

**Wiring diagram**



**Motor Starter 2 M**  
Cat.Nos 6759 65 / 6763 38

**Wiring diagram**

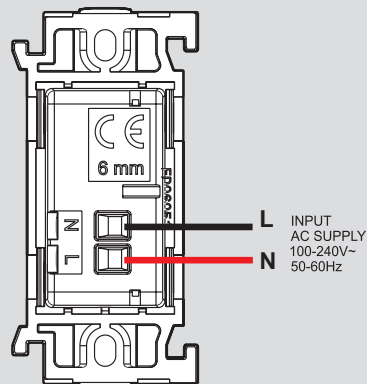


**Mylinec™**  
socket and accessories

**Technical data**

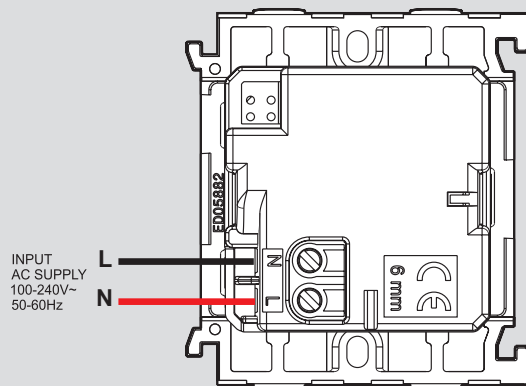
**USB chargers 1 M**  
(IS13252(Part 1)/IEC 60950-1)  
Cat.Nos 6759 71 / 6763 43

**Wiring diagram**



**USB chargers 2 M**  
(IS13252(Part 1)/IEC 60950-1)  
Cat.No 6759 72 / 6763 44

**Wiring diagram**



## HEAD OFFICE

61 & 62, 6<sup>th</sup> Floor, Kalpataru Square, Kondivita Road, Off Andheri-Kurla Road, Andheri (E), **MUMBAI** - 400 059.  
Tel : (022) 3041 6200 | Fax : (022) 3041 6201

## REGIONAL SALES OFFICES

A-25, Mohan Co-operative  
Industrial Estate, Mathura Road,  
**NEW DELHI** - 110 044.  
Tel : (011) 3990 2200, 2699 0046,  
(011) 2699 0028 / 29 / 30 / 31  
Fax : (011) 2699 0047

Bhakta Towers, 2nd & 3rd Floor,  
Plot No. KB 22, Sector-III, Salt Lake,  
**KOLKATA** - 700 098.  
Tel : (033) 4021 3535 / 36  
Fax : (033) 4021 3537

C/203, Corporate Avenue, Atul Projects,  
Near Mirador Hotel, Chakala,  
Andheri Ghatkopar Link Road,  
Andheri - East, **MUMBAI** - 400 099.  
Tel : (022) 3385 6200

10 B, (10th Floor), Prestige Center Court,  
Office Block, Vijaya Forum Mall, #183,  
N.S.K. Salai, Vadapalani,  
**CHENNAI** - 600 026.  
Tel : (044) 3024 7200 / 2362 3125 / 35 / 45  
Fax : (044) 2362 3165

205-208, 2nd Floor,  
Block - II, White House,  
Kundan Bagh, Begumpet,  
**HYDERABAD** - 500 016.  
Tel : (040) 2341 4398 / 67, 4567 1717  
Fax : (040) 4567 1730

## BRANCH OFFICES

SCO 1-2-3,  
Second Floor, Sector 17B,  
**CHANDIGARH** - 160 017.  
Tel : (0172) 305 8631 / 32 / 33 / 34 / 35  
Fax : (0172) 501 9008

507-510, Vth Floor,  
Soni Paris Point,  
Jai Singh Highway, Banipark,  
**JAIPUR** - 302 016.  
Telefax : (0141) 511 3129, 510 1179

209-A, 2nd Floor, Cyber Heights,  
Opp. Indira Gandhi Pratishthan,  
Vibhuti Khand, Gomti Nagar,  
**LUCKNOW** - 226 010.  
Tel : (0522) 319 2031 / 32 / 33

504, Sakar IV,  
Opp. M.J. Library, Ellis Bridge,  
**AHMEDABAD** - 380 006.  
Tel : (079) 2658 6561

402, Swastik Chambers,  
Near Ashwamegh Marriage Hall,  
Behind HP Petrol Pump,  
Off Karve Road, Erandwane,  
**PUNE** - 411 004.  
Tel : (020) 6729 5601 / 602  
Fax : (020) 6729 5604

Plot No.95, II Floor,  
Shreyash Heights,  
VIP Road, Ramdaspath,  
**NAGPUR** - 440 010.  
Tel : (0712) 662 7857 / 858  
Fax : (0712) 662 7859

2nd Floor,  
Al Latheef Building,  
2/1, Union Street,  
Off. Infantry Road,  
**BANGALORE** - 560 001.  
Tel : (080) 2286 1078, 4113 3293  
Fax : (080) 4113 3294

J. B. Manjoran Estate,  
Door No. 50/1107A9, 3rd Floor,  
Bypass Junction, Edappally,  
**COCHIN** - 682 024.  
Tel : (0484) 280 1921 / 2921, 658 0921  
Fax : (0484) 280 1921 / 2921

B-5, 1st Floor, Thirumalai Towers,  
723, Avanashi Road, **COIMBATORE** - 641 018.  
Tel : (0422) 650 2728, 222 3634 / 0283  
Fax : (0422) 222 3164

204-205, Megapolis Square,  
579, M G Road, **INDORE** - 452 001.  
Tel : (0731) 393 1650 / 51 / 52  
Fax : (0731) 393 1653

MF-2, Datta's Lords House,  
Jammi Chettu Street, Mogalrajapuram,  
**VIJAYAWADA** - 520 010.  
Tel : (0866) 661 1393, 664 6393  
Fax : (0866) 669 9393

## AREA OFFICES

ABC Business Club 16,  
Tagore Villa, **DEHRADUN** - 248 001.  
Tel : (0135) 271 5189  
Fax : (0135) 271 5580

Cabin No. 9, Second Floor,  
Madhok Trade Centre,  
Madhok Complex, Ferozpur Road,  
**LUDHIANA** - 141 001.  
Tel : (0161) 277 0301 / 2 / 3 / 4

House No. 97, Ground Floor,  
Rajgarh Main Road,  
Opp. City Heart Nursing Home,  
**GUWAHATI** - 781 007.  
Tel : (0361) 245 8498

94, Udhm Singh Sarani,  
Ground Floor, Ashrampara,  
**SILIGURI** - 734 001.  
Tel : (0353) 264 1067

202 & 203, 2nd Floor,  
Sunrise, Forum 100,  
Burdwan Compound, Lalpur,  
**RANCHI** - 834 001.  
Tel : +91 9088104858

405, City Centre, Sosyo Circle,  
Udhana Magdalla Road,  
**SURAT** - 395 002.  
Tel : (0261) 263 3861

Aparna Towers, 1st Floor,  
2/3, Bypass Road,  
**MADURAI** - 625 010.  
Telefax : (0452) 230 8414

404, Eshwar Plaza,  
Dwaraka Nagar, Main Road,  
Beside Bata Show Room,  
**VISHAKHAPATNAM** - 530 016.  
Tel : (0891) 663 5652  
Fax : (0891) 663 9363

Plot No. 359,  
Saheed Nagar, 2nd Floor,  
**BHUBANESWAR** - 751 007.  
Tel : (0674) 254 0623

## Technical assistance from Legrand

Telephonic technical assistance for selection of products, technical information, guidance, wiring diagrams and estimation is now made available to you at each Regional Office. Contact the Technical Officer of Legrand at the following telephone numbers :

- New Delhi : (011) 2699 0028, 3990 2200
- Kolkata : (033) 4021 3535/36
- Mumbai : (022) 3385 6200
- Chennai : (044) 3024 7200
- Hyderabad : (040) 2341 4398 / 67, 4567 1717

For other places, contact the nearest Regional / Branch / Area offices customer.care@legrand.co.in



LIVE THE ADVANTAGE

www.legrand.co.in

/Legrand.In

@Legrand\_IN

@Legrand\_IN

/LegrandIndiaOfficial

MYLBR28560/03/2017 CIN NUMBER -CIN U31909MH2010PTC206467 MYLBRPR179